

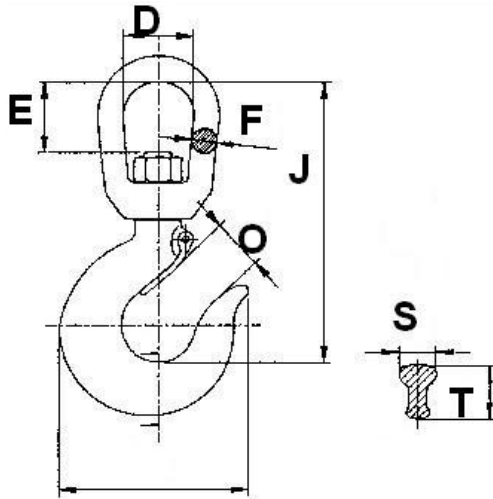
**CE – SWIVEL HOOK WITH SAFETY CATCH**

WLL from 0.8 to 22 tonnes

Stamped hook and swivel

Safety factor : **4** for alloy steel and **5** for carbon steel

FINISH : painted



Reference	Group code	WLL (t)	Steel material*	Length	Hook opening	Height	Bow ø	Hook bow to top inner eye	Vertical section thicj	Vertical section height	Weight (kg)
				D	O	E	F	J	S	T	
C120E	104979	0,8	C	28	20	30	10	114	15	20	0,5
C121E	104989	1	C	36	21	39	15	140	17	22	0,9
C125E	104999	1,5	A	36	21	39	15	140	17	22	0,9
C126E	105009	2,5	A	46	24	46	17	168	21	27	1,4
C127E	105019	3,2	A	46	25	46	17	175	24	30	1,7
C128E	105029	5,4	A	55	33	63	21	212	28	36	3,3
C134E	105039	8	A	66	41	78	24	260	40	49	6,8
C135E	105049	11	A	67	47	90	29	310	42	58	10
C136E	105059	16	A	88	53	90	35	340	58	67	15
C137E	105069	22	A	109	75	122	38	426	65	76	26

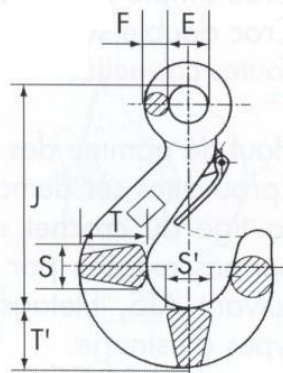
\*C : carbon steel - A : alloy steel

Dimensions in mm

**CJ – EYE HOOK WITH SAFETY CATCH**  
WLL from 0.8 to 8 tonnes

Stamped hook  
Mainly fitted on sling or rope  
Safety factor : **4** for alloy steel and **5** for carbon steel

FINISH : painted



Reference	Group code	WLL (t)	Steel material *	Bow $\varnothing$	Hook opening	Inner eye	Bow $\varnothing$	Hook bow to top inner eye	Vertical section thick	Vertical section height	weight (kg)
				D	O'	E	F	J	S	T'	
C091J	105079	0,8	C	28	19	19	9,5	82	16	22	0,3
C092J	105089	1	C	33	19	23	11,5	93	19	25	0,45
C101J	105109	1,25	A	28	19	19	9,5	82	16	22	0,3
C093J	105099	1,6	C	35	24	29	12	104	22	28	0,6
C102J	105119	1,6	A	33	19	23	11,5	93	19	25	0,45
C103J	105129	2,5	A	35	24	29	12	104	22	28	0,6
C104J	105139	3,2	A	38	25	32	15	119	24	30	0,9
C105J	105149	5,4	A	50	30	40	18	146	30	36	1,6
C106J	105159	8	A	58	38	51	24	187	42	48	3,5

\*C : carbon steel - A : alloy steel

Dimensions in mm

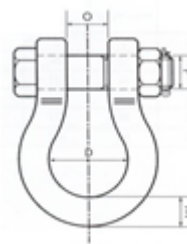
**CH – HIGH RESISTANCE ANCHOR SHACKLE**

WLL from 1 to 13.5 tonnes

Security factor : **6**

Bolt type anchor shackles with thin head bolt-nut, with cotter pin.  
Complies with US Federal specification (RR-C-271)

FINISH : painted and galvanised



Reference	Group code	WLL (t)	Calibre	Bow $\varnothing$	Axle $\varnothing$	Opening	Weight (kg)
			W	D	d	O	
C036H	105599	1	10	26	12	17	0,20
C037H	105609	1,5	11	29	13	18	0,22
C039H	105589	3,25	18	43	19	27	0,76
C040H	105619	4,75	21	51	22	32	1,20
C041H	192269	6,5	25	58	25	37	1,50
C042H	192279	8,5	27	68	29	43	2,50
C043H	192289	12	33	83	35	52	4,50
C044H	192299	13,5	38	92	38	57	6,60

Dimensions en mm